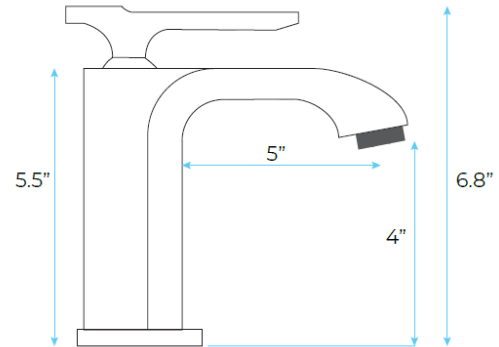
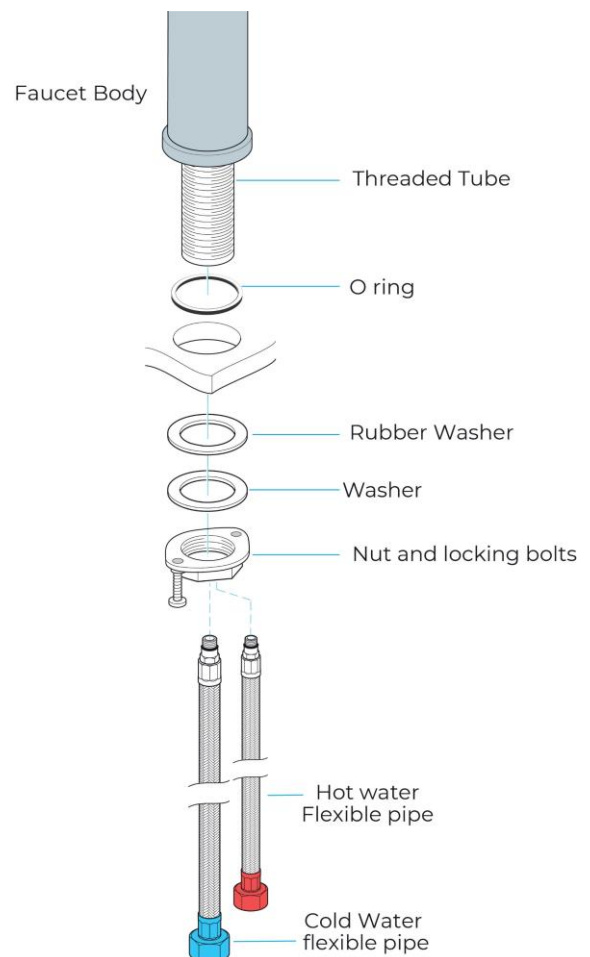


NAPLES BATHROOM SINK FAUCET WITH CHROME & GOLD FINISH SPECS



Specs:

- Solid brass construction (59% brass ingot)
- Usage: Bathroom Basin
- 6 -7 L/Min flow rate
- Stainless steel double hose (1/2 Female Connection)
- Aerator size M 22/24x1
- Hot and cold water operation
- High Quality Cartridge (can be operated between 50_65°C temperature) tested for more than 500,000 cycles
- Brass spindle for durability, plastic cap on the spindle to avoid metal to metal contact, with temperature controller ring
- Salt spray testing (24 Hours)
- Operation water pressure 0.5 Bar
5 Bar.



[Visit Product Page](#)